

## PROPORTIONAL VALVES

### SENTRONIC<sup>LP</sup>

G1/4 tapped body or subbase mounted body  
with digital pressure control

#### FEATURES

- **SENTRONIC<sup>LP</sup>** stands for:
  - Low power consumption (3,8 W)
  - Digital communication and control
  - Display (integrated) with function buttons (option)
  - Pilot operated proportional valve
- Other functions are valve diagnostics, parameter setting and maintenance.
- The valve's outlet pressure can also be adjusted over the integrated display and the function buttons.
- RoHS, REACH compliant.

#### GENERAL

<b>Fluids</b>	Air or neutral gas filtered at 50 µm, without condensate, lubricated or unlubricated, class 5 according to ISO 8573-1:2010 [7:4:4]
<b>Max. allowable pressure (MAP)</b>	At least 1 bar above the maximum outlet pressure
<b>Pressure range</b>	0-3 bar, 0-6 bar, 0-10 bar
<b>Fluid temperature</b>	0°C to +60°C
<b>Ambient temperature</b>	0°C to +50°C
<b>Flow (Qv at 6 bar)</b>	470 NI/min
<b>Setpoint</b>	0 - 10 V (Impedance 100 kΩ) 0 - 20 mA / 4 - 20 mA (Impedance 250 Ω)
<b>Hysteresis</b>	1% of span
<b>Linearity</b>	1% of span
<b>Repeatability</b>	1% of span
<b>Minimum setpoint</b>	100 mV (0,2 mA/4,2mA) with shutoff function
<b>Minimum outlet pressure</b>	1% of span
<b>Failsafe behaviour</b>	Pressure hold on loss of power, without control



#### CONSTRUCTION

<b>Body</b>	Aluminium
<b>Internal parts</b>	POM (polyacetal)
<b>Seals</b>	NBR (nitrile)

#### ELECTRICAL CHARACTERISTICS

nominal diameter DN (mm)	stabilised voltage *	max. power (W)	max. current (mA)	insulation class	degree of protection	electrical connection
4	24VDC	3,8 W (<1W compensate)	160	H	IP 65	5-pin M12 connector (to be ordered separately)

\* Max. ripple: 10 %

#### SPECIFICATIONS

Ø port	Ø orifice DN (mm)	flow	
		K <sub>v</sub> -coefficient (Nm <sup>3</sup> /h)	at 6 bar (NI/min)
G 1/4	4	0,43	470

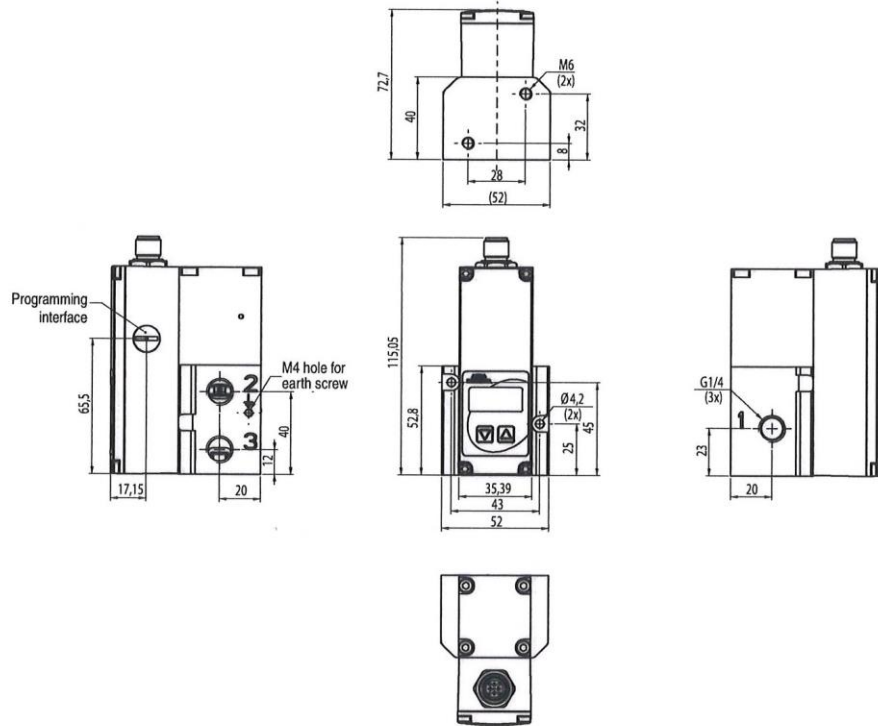
Test conditions according to ISO 8778: temperature: 20 °C, relative inlet pressure: 6 bar, relative outlet pressure: 5 bar

**DIMENSIONS (mm), WEIGHT (kg)**

**Inline version**

**DN 4**

Weight: 0,49 kg

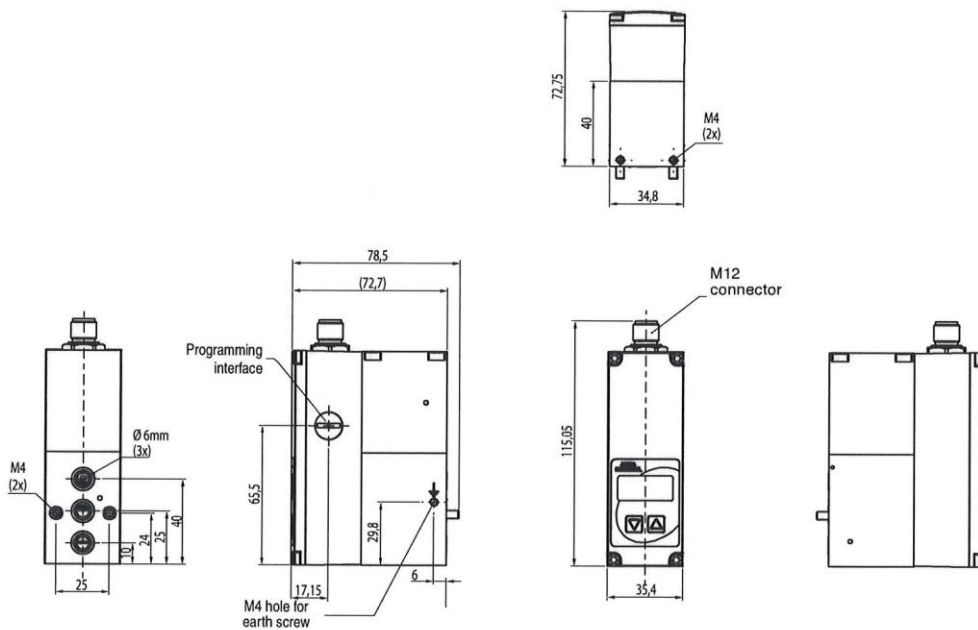


**DIMENSIONS (mm), WEIGHT (kg)**

**Subbase version**

**DN 4**

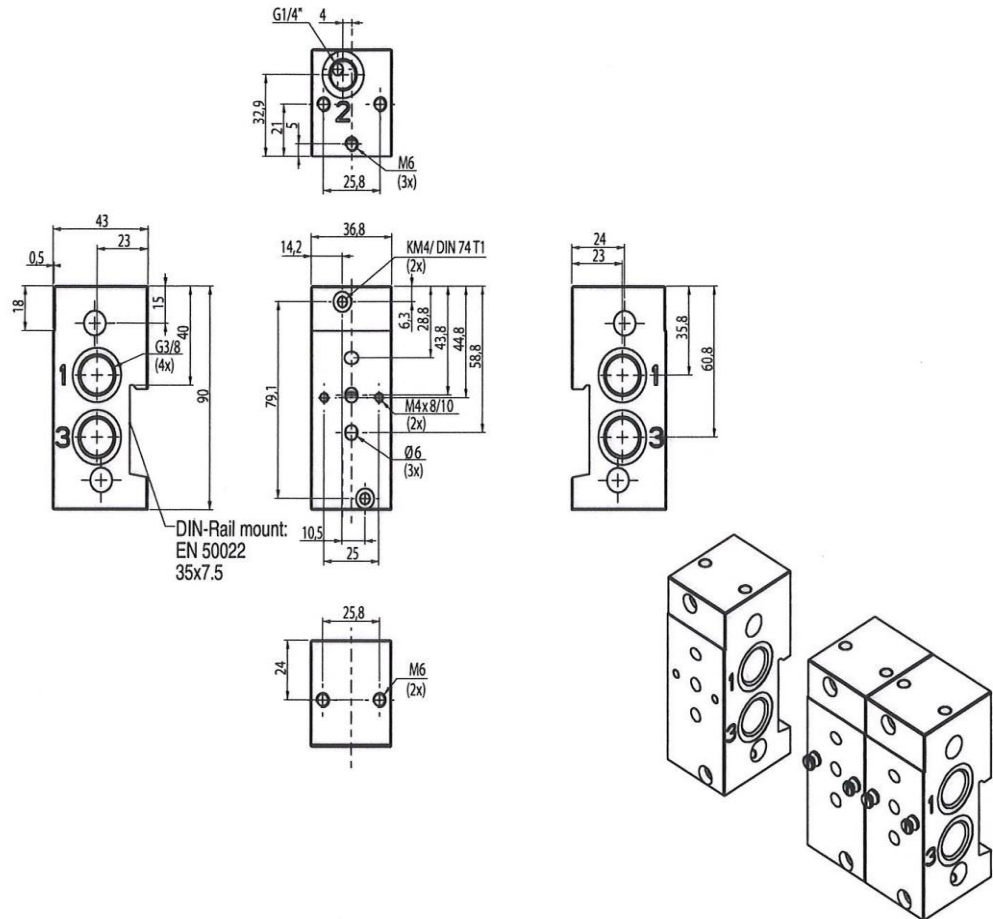
Weight: 0,49 kg



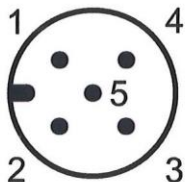
**DN 4**

**Joinable subbase**

Weight: 0,3 kg



### CONNECTOR PINNING / CABLE WIRING



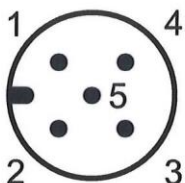
View from soldering side

pin	description	5-wire cable (2m)	6-wire cable (5m, 10m)
1	24V voltage supply	brown	brown
2	Analog setpoint input	white	white
3	Supply ground	blue	green
	Analog ground *		yellow
4	Analog output (feedback) <sup>1</sup>	black	pink
5	Digital output (pressure switch)	grey	grey
<b>Body</b>	EMC shield	shield	shield

\* A 6-wire cable with separate analog ground is used for cable lengths over 2 m to set off the voltage drop for the setpoint.

<sup>1</sup> Analog input when using cascade control

### CONNECTOR PINNING / 2BIT - SETPOINT



pin	description
1	24V voltage supply
2	Input signal 1 (LSB)
3	Supply ground
4	Input signal 2 (MSB)
5	unused

### ACCESSORIES

description	catalogue number
Right-angle M12 female connector , 5 pins, with screw terminals	<b>101635</b>
RS 232 cable converter; 2m cable with 9-pin Sub-D (plug connector)	<b>101637</b>